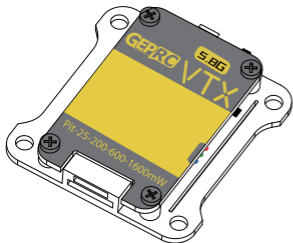


**GEPRC**



# RAD VTX 5.8G 1.6W User Manual

## Specification:

Model: GEPRC RAD VTX 5.8G 1.6W

Input voltage: DC 7-36V(2-8S Battery)

Output: 5V@600mA(Power 5V to camera)

Input impedance: 75Ω

Protocol: IRC Tramp

Antenna connector: MMCX connector

Cable connector: GH1.25-6P connector

Output power: 25mW/200mW/600mW/1600mW/Pit mode

Frequency tables: 40 CH/37 CH(FCC)/26CH(EU)

Video format: PAL / NTSC

Microphone: Built in microphone

Size: 36.5mmx36.5mmx5.5mm

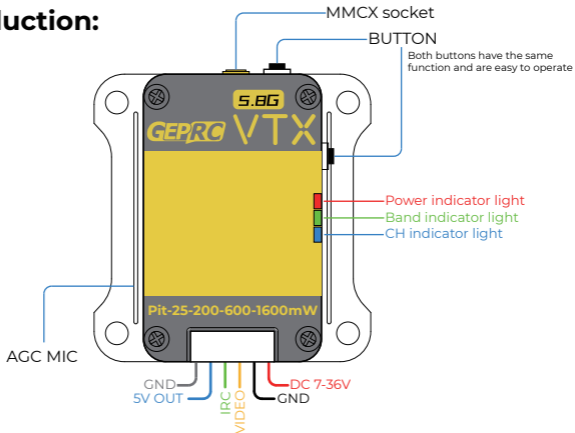
Weight: 9.7g(without cable)

Mounting holes: 30.5mmX30.5mm(M3)

## Features:

1. 1.6W super-power ,suitable for Long Range flight with good stability.
2. Five power levels: 25mW/200mW/600mW/1600mW/Pit mode .
3. Two-layer board cooling structure,separate power BEC and main-board,reducing and shielding from the insinal interference.
4. Temperature control protection function that can prevent high temperature burning.
5. Wide voltage input, supports 7V-36V voltage input.
6. VTX control protocol is IRC Tramp,supports OSD parameter adjustment.
7. VTX built in microphone,real-time return of Drone's sounds.
8. Has 3 regional frequency tables to meet the needs of various regions.
9. Two function buttons, three indicator lights, easy to operate.
10. Mounting holes is 30.5mmx30.5mm.

# Introduction:



## 1. How to set Channel:

Press and hold for 3 seconds to enter the Channel Selection:

LED Color	CH1	CH2	CH3	CH4	CH5	CH6	CH7	CH8
Blue	Flash 1X	Flash 2X	Flash 3X	Flash 4X	Flash 5X	Flash 6X	Flash 7X	Flash 8X

## 2. How to set Band:

Press and hold for 3 seconds to enter the Band Selection:

LED Color	Band A	Band B	Band E	Band F	Band R
Green	Flash 1X	Flash 2X	Flash 3X	Flash 4X	Flash 5X

### 3. How to set Power:

Press and hold for 3 seconds to enter the Power Selection :

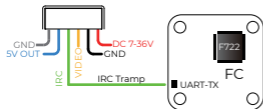
LED Color	Pit	25mW	200mW	600mW	1600mW
Red	Light ON	Flash 1X	Flash 2X	Flash 3X	Flash 4X

#### **WARNING:**

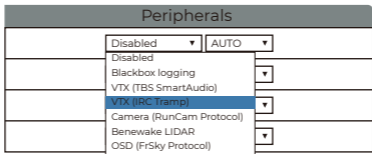
1. Install antenna before use.
2. To prevent overheating, provide constant airflow and a well ventilated environment. Install a cooling fan if operating in confined conditions.
3. The 5V Output is just used for a Camera/Cooling Fan! Don't connect Power Input / Battery to 5V Output port. Otherwise the VTX will be damaged.

# How to use IRC Tramp:

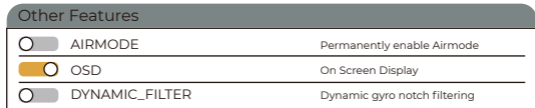
1. Connect the IRC Tramp port to the FC's free UART-TX .



2. Open BetaFlight ,enter Ports tab,under peripherals next to the UART-TX which is connected to the IRC port of the VTX select IRC Tramp,save the settings.



3. Enter configuraton tab,turn the OSD on under Other Features,save the settings.



4. Enter Video Transmitter tab ,Load from file ,save the settings.(The file can be downloaded from the GEPRC website.)

Load from file



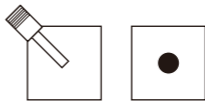
Table.json



5. Turn on the remote control,THR middle,YAW left,PITCH up,enter the OSD menu. The PITCH moves the cursor up and down, and the ELE right to enter the next item. Finally,save and exit.



Mode-2



Mode-1

①

```

-- MAIN --
PROFILE >
> FEATURES >
OSD >
FC&FIRMWARE >
MISC >
SAVE / EXIT >

```

②

```

--- FEATURES ---
BLACKBOX >
> VTX >
LED STRIP >
POWER >
FAILSAFE >
BACK >

```

③

```

- TRAMP -
X R7 5880 25
> PIT OFF
BAND RACE
CHAN 1
(FREQ) 5880
POWER 25
T(C) 45
SET >
BACK

```

④

```

CONFIRM
> YES >
NO

```

# Frequency table:

Universal frequency table (BAND)	CH							
	CH1	CH2	CH3	CH4	CH5	CH6	CH7	CH8
1, A (BOSCAM)	5865Mhz	5845M	5825M	5805M	5785M	5765M	5745M	5725M
2, B (BOSCAM)	5733Mhz	5752M	5771M	5790M	5809M	5828M	5847M	5866M
3, E (BOSCAM)	5705Mhz	5685M	5665M	5645M	5885M	5905M	5925M	5945M
4, F (FATSHARK)	5740Mhz	5760M	5780M	5800M	5820M	5840M	5860M	5880M
5, R (RACEBAND)	5658Mhz	5695M	5732M	5769M	5806M	5843M	5880M	5917M

## **Warranty Policy:**

1. If VTX is damaged or unknow issue,please contact GEPRC. We'll do our best to get this taken care of quickly for you.
2. Any impact damage, product liquid damage, high temperature burn or other artificial damage is not covered by warranty.

## **PS:**

1. All components has been strictly inspected and tested before shipping.
2. If you have any problems, please cooperate with our engineers to figure out solutions. (E-mail: [support@geprc.com](mailto:support@geprc.com).)

## **Include:**

1 x GEPRC ROS VTX 1.6W

1 x 5.8G Antenna MMCX 72mm

1 x MMCX connector to SMA connector 82cm

1 x GH 1.25-6P connector cables 150mm

1 x Matching screw package

## **Contact:**

Website: <http://geprc.com>

**facebook**



[facebook.com/geprc](https://www.facebook.com/geprc)

**Instagram**



[instagram.com/geprc](https://www.instagram.com/geprc)

Official  
website



[www.geprc.com](http://www.geprc.com)

**You Tube**



**Manual**



[geprc.com/support](http://geprc.com/support)